



Item: \_\_\_\_\_

Quantity: \_\_\_\_\_

Project: \_\_\_\_\_

Solid State Thermostatic Griddle

## Delux Series

Models:  RD85-24     RD85-36     RD85-48     RD85-60     RD85-72



RD85-36

Gas Type:  Natural     LP

Elevation (if above 2000 ft.): \_\_\_\_\_

### Standard Features

- Fully welded frame with lifetime warranty
- Solid state controller with embedded sensor adjustable from 150°-450° F
- 1" thick griddle plate with polished cooking surface
- 24" deep cooking surface
- Stainless steel front, sides, back and belly bar
- Aeration panels between the burners for added efficiency
- Burner "on" indicator lights
- Burner every 12", rated at 32,000 BTU/hr
- Large capacity stainless steel grease can ( 2 on 48" and above)
- Thermostatic control every 12"
- 4" high adjustable heavy duty legs included

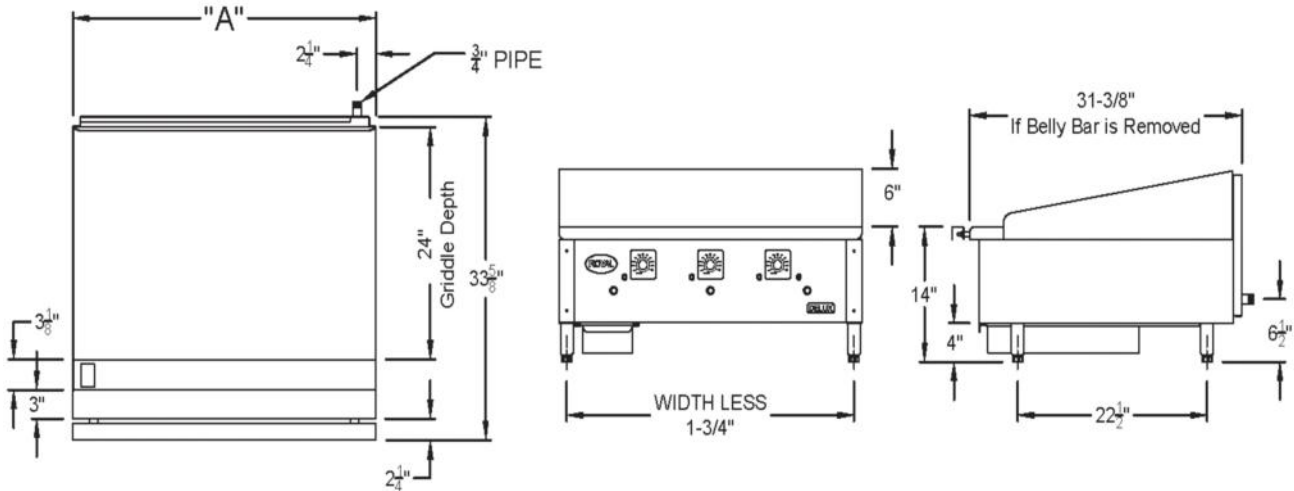
### Options and Accessories

- Grooved griddle (specify width: \_\_\_\_\_")
  - Chrome griddle plate
  - Rear gutter in lieu of front gutter
  - Cutting board
  - Plate shelf
  - Stainless Steel Equipment Stand
    - Knock Down     All Welded
- Size
- 12"     18"     24"     30"     36"     48"     60"     72"
  - 5" swivel casters (set of four - 2 locking)
  - 5" swivel casters (set of four - 2 locking) (60" and 72" stands)



**2 YEAR LIMITED, PARTS AND LABOR WARRANTY**

# Solid State Thermostatic Griddle



Model Number	Width (A)	Number of Thermostats	Number of Burners	Total BTU	Ship Weight
RD85-24	24"	2	2	64,000	285 lbs.
RD85-36	36"	3	3	96,000	395 lbs.
RD85-48	48"	4	4	128,000	539 lbs.
RD85-60	60"	5	5	160,000	652 lbs.
RD85-72	72"	6	6	192,000	786 lbs.

**Notes:**

**Gas Connection:**

3/4" NPT on the right hand rear of the appliance.

The pressure regulator (supplied) is to be connected by the installer.

Specify type of gas and altitude, if over 2,000 feet, when ordering.

**Electrical:** 120V, 60Hz, 1 phase, 1 amp

Provided with 6' power cord fitted with standard 3 prong grounded plug

**Gas Pressure:**

5" W.C.	Natural Gas
10" W.C.	Propane

**Clearances:**

	Combustible	Non-Combustible
Rear	6"	0"
Sides	4"	0"

Due to continuing product development to ensure best possible performance, these specifications are subject to change without prior notification.

**Royal Range of California, Inc.**  
 3245 Corridor Dr. • Eastvale, CA 91752 • (800) 769-2414 • (951) 360-1600  
 Fax: (951) 360-7500 • www.royalranges.com • sales@royalranges.com