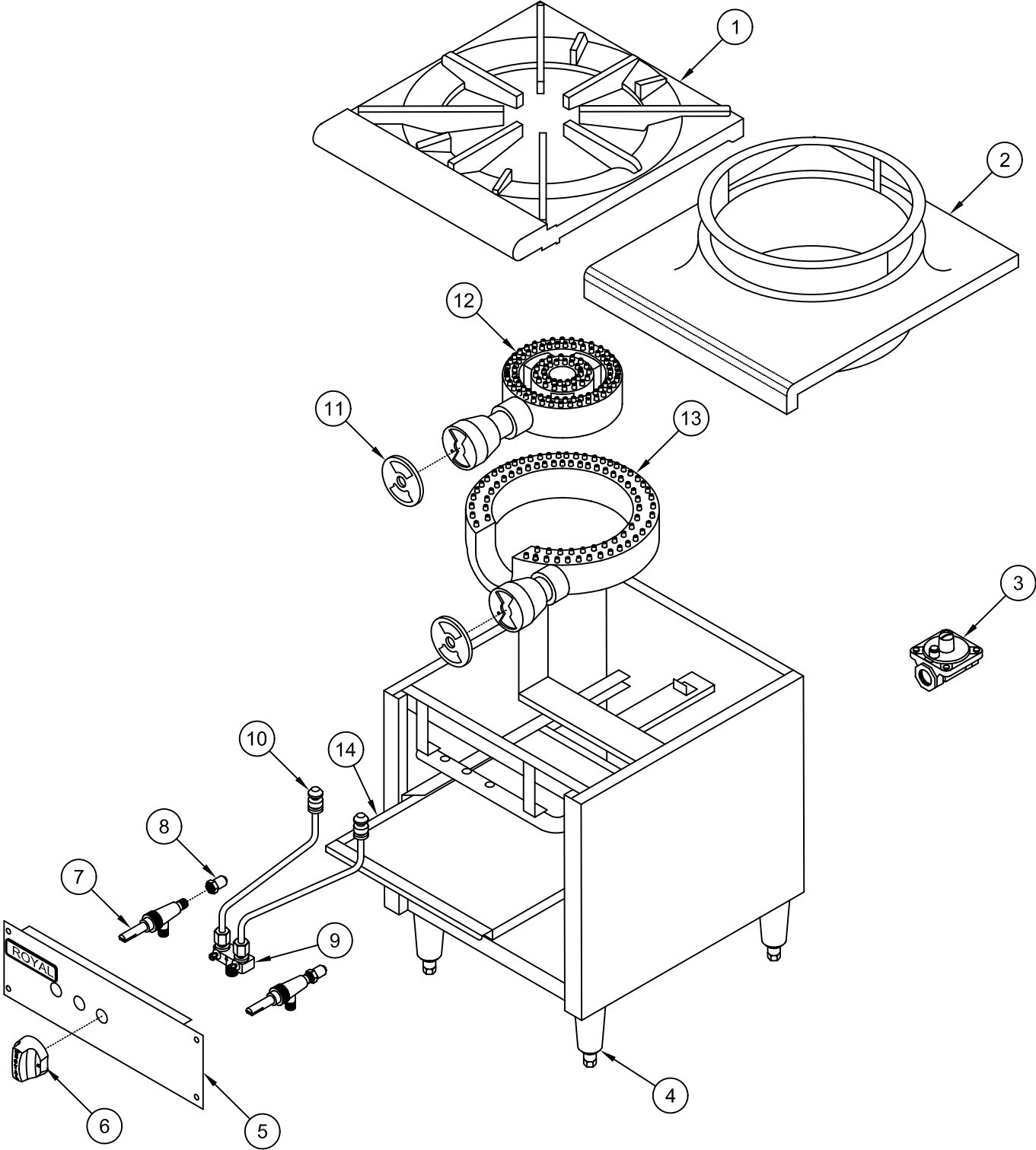

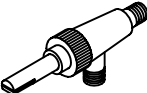
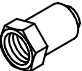
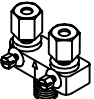



RSP Stock Pot



ON/OFF KNOB	GAS VALVE	ORIFICE HOOD	DUAL PILOT VALVE	PILOT TIP ASSY
				
6	7	8	9	10

RSP

Stock pot

ITEM NO.	PART NO.	DESCRIPTION
1	1200	Stock pot top grate (cast iron)
2	1201-13 1201-15	Tempura style wok top 13" ring diameter Tempura style wok top 15" ring diameter
3	1618 1619	Gas pressure regulator (natural gas) Gas pressure regulator (propane Gas)
4	1219	Chrome cone leg
5	1212	RSP-18 Valve cover
6	3102	Blue knob – flat side down
7	1628	Gas valve (brass) w/out orifice
8	1121-31 1122-47	Orifice Hood #31 (brass) natural gas, 45,000 BTU Orifice Hood #47 (brass) propane gas 45,000 BTU
9	1211	1/8" NPT x 3/16" CC Adjustable double pilot valve (brass)
10	1209 1210	Pilot burner assembly for front burner and single stock pot Pilot burner assembly for rear burner on double stock pot
11	1205	Air shutter
12	1204	Inner burner w/air shutter
13	1203	Outer ring w/air shutter
	1202	Burner complete (inner and outer rings) w/air shutters
14	1206	Crumb tray