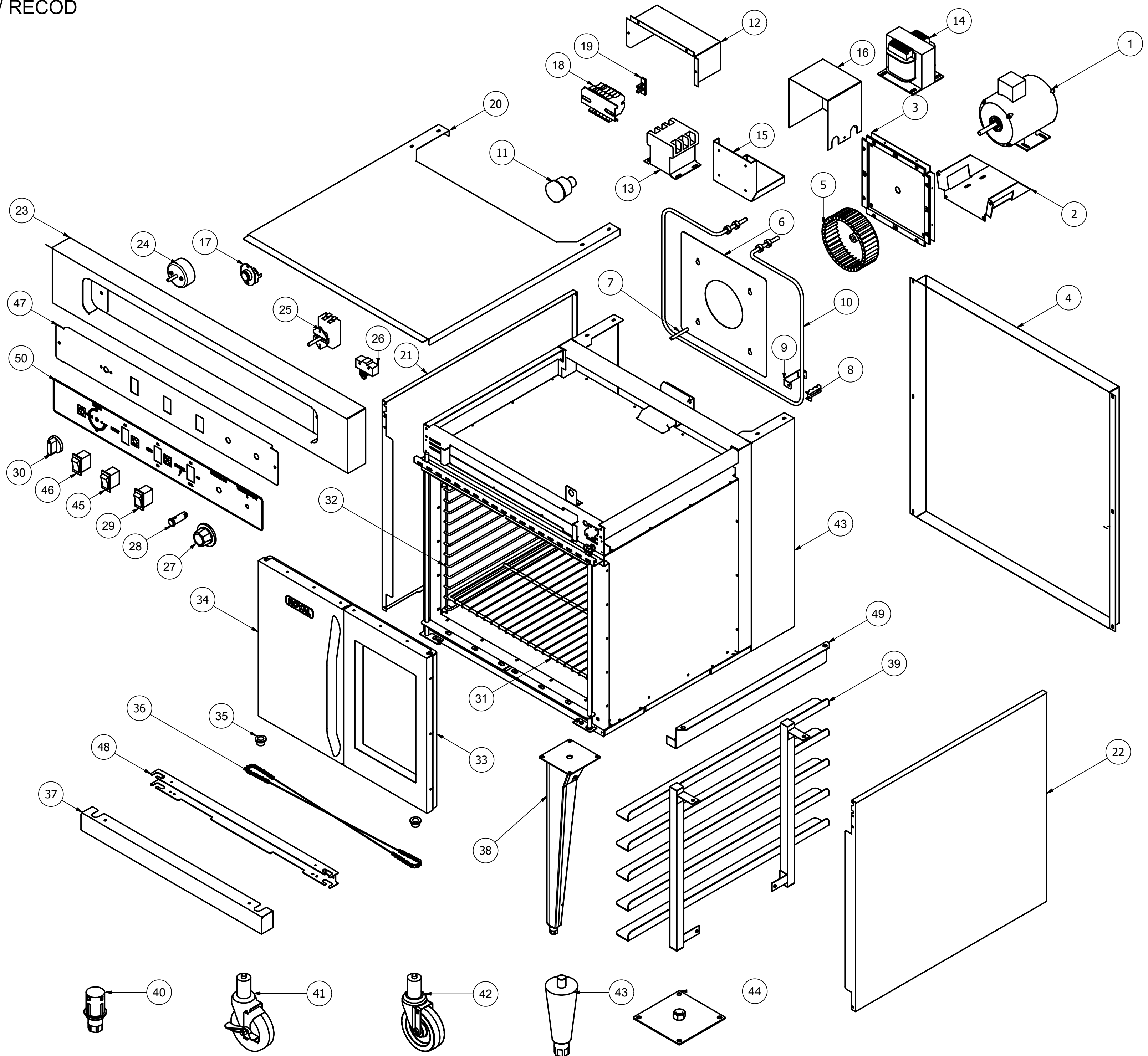
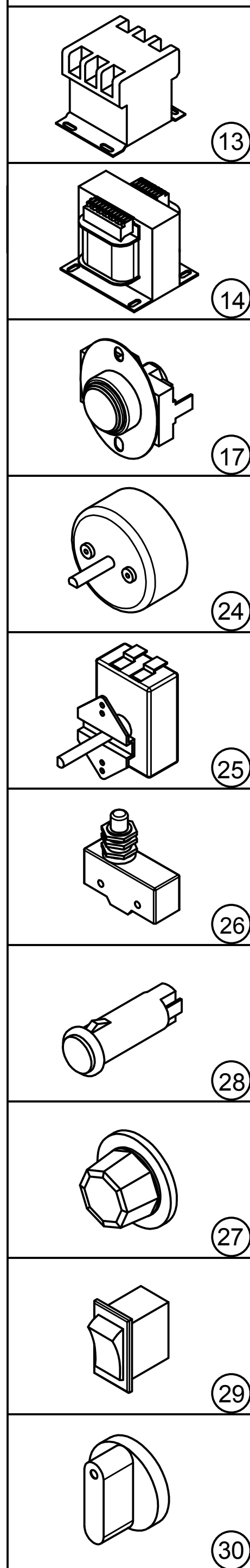


MODEL: RECO / RECOD



RECO / RECOD

ELECTRIC CONVECTION OVEN

ITEM NO.	PART #	DESCRIPTION
1	5860	Motor (230V)
2	30574	Motor Bracket
3	30602	Motor Mount Weld Assy
4	26587	Outer Back Cover - Stainless Steel
5	2503	Blower Wheel
6	30721	Blower Baffle Cover
7	2507	Shoulder Bolt (1/4-20 x 4")
	2505	Spacer Tube
8	26547	Element Clamp Bracket (2 pcs)
9	26546	Heater Element Bracket (2 pcs)
10	2560-208	Heater Element (RECO) 3 KW
	2560-240	Heater Element (RECO) 3 KW
	2567-208	Heater Element (RECOD) 4 KW
	2567-240	Heater Element (RECOD) 4 KW
	2567-480	Heater Element (RECOD) 4 KW
11	5858	Light Socket Assy with 220V Bulb (Complete set)
12	26555	Heater Element Cover (Outside Rear)
13	2564	Contactora (230V)
14	5857	Transformer, Step Down (480V - 240V)
15	26563	Mounting Bracket - Transformer
16	26564	Transformer Cover
17	5863	Thermal Cut Off Switch
18	5859	Terminal Block Assy
19	5862	Marker Cap for Terminal Block
20	26529	Top Panel (RECO)
	26574	Top Panel (RECOD)
21	26528	Side Panel LH (RECO)
	26573	Side Panel LH (RECOD)
22	26527	Side Panel RH (RECO)
	26572	Side Panel RH (RECOD)
23	26522	Control Frame Weld Assy
24	2527	Manual Timer, 1 Hour
25	2520	KX Thermostat
26	2519	Door Switch
27	2523	Dial Knob, KX Thermostat
28	2568	Indicator Light Red (230V)
29	2526	Switch, Power - 3 position
30	3098	Knob, Black w/Orange Dot (Timer)
31	2545	Oven Rack (RECO)
	2540	Oven Rack (RECOD)

CONTINUED

RECO / RECOD

ELECTRIC CONVECTION OVEN

ITEM NO.	PART #	DESCRIPTION
32	2544	Oven Rack Guide (RECO)
	2542	Oven Rack Guide (RECOD)
33	26544	Door RH Assy (Window)
34	26545	Door LH Assy (Solid)
35	2532	Bronze Bushing (1/2 I.D. x 5/8 O.D)
36	2531	Chain Assy (Complete set)
37	26548	Kickplate
38	30589	Leg Weld Assy for Single Deck
39	26561	Bottom Pan Rack Guide Assy (RECO)
	26586	Bottom Pan Rack Guide Assy (RECOD)
40	1214	Adjustable bullet feet (one piece only)
41	2552	Caster with Brake, Stem Mounting for Single Deck
	2548	Caster with Brake, Stud Mounting for Double Stack
42	2551	Caster W/O Brake, Stem Mounting for Single Deck
	2547	Caster W/O Brake, Stud Mounting for Double Stack
43	2549	6" Leg (Double Stack Unit Only)
44	30607	Leg Plate Assy. (6" Leg & Stud Caster only) Double Stack
45	2525	Fan Switch High/Low
46	2524	Light Switch, Momentary
47	26524	Control Panel
48	26509	Channel Sprocket Support
49	30682	Brace, Pan Rack Guide (RECO)
	30683	Brace, Pan Rack Guide (RECOD)
50	2555	Decal, Control panel