



Item: _____

Quantity: _____

Project: _____

Snack Stainless Steel Equipment Stands

Snack Stainless Steel Equipment Stands

Models:	<input type="checkbox"/> RSS-12SN	<input type="checkbox"/> RSS-18SN	<input type="checkbox"/> RSS-24SN	<input type="checkbox"/> RSS-30SN
	<input type="checkbox"/> RSS-36SN	<input type="checkbox"/> RSS-48SN	<input type="checkbox"/> RSS-60SN	



Standard Features

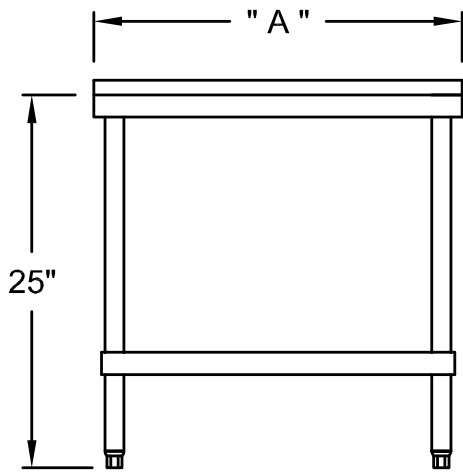
- Heavy duty stainless steel construction
- Knock down design for easier shipping and field assembly
- Stainless steel undershelf

Options and Accessories

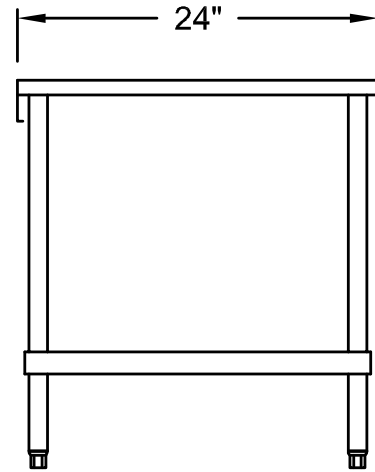
- All welded construction
- 5" swivel casters (set of four - 2 locking) (12"-48" models)
- 5" swivel casters (set of six - 3 locking) (60" model)



Snack Stainless Steel Equipment Stands



FRONT VIEW



SIDE VIEW

Model Number	Width (A)	Ship Weight
RSS-12SN	12-1/2"	32 lbs.
RSS-18SN	18-1/2"	42 lbs.
RSS-24SN	24-1/2"	52 lbs.
RSS-30SN	30-1/2"	62 lbs.
RSS-36SN	36-1/2"	72 lbs.
RSS-48SN	48-1/2"	82 lbs.
RSS-60SN	60-1/2"	95 lbs.

Due to continuing product development to ensure best possible performance, these specifications are subject to change without prior notification.

Royal Range of California, Inc.
 3245 Corridor Dr. • Eastvale, CA 91752 • (800) 769-2414 • (951) 360-1600
 Fax: (951) 360-7500 • www.royalranges.com • sales@royalranges.com