



Item: _____

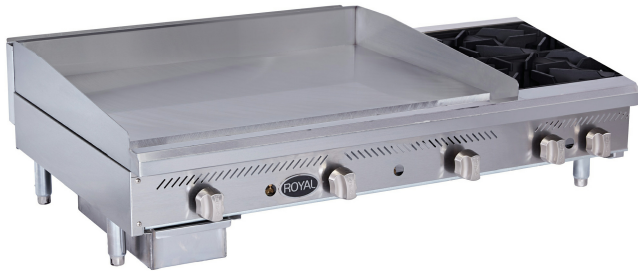
Quantity: _____

Project: _____

Manual Griddle/Hot Plate Combination

Manual Griddle/Hot Plate Combination

- Models:** RMG-12OB2 RMG-24OB2 RMG-24OB4 RMG-36OB2
 RMG-36OB4 RMG-48OB2 RMG-48OB4



Gas Type: Natural LP

Elevation (if above 2000 ft.): _____

Options and Accessories

- 1" thick griddle plate
 - Wok burner head with 10" diameter S/S ring
 - Grooved griddle (specify width: _____")
 - Chrome griddle plate
 - Stainless Steel Equipment Stand
 - Knock Down All Welded
- Size
- 24" 36" 48" 60" 72"
 - 5" swivel casters (set of four - 2 locking)
 - 5" swivel casters (set of six - 3 locking) (60" and 72" models)

Standard Features

- 11" high, Low Profile
- Full width, removable stainless steel crumb pan under open burners for easy cleaning
- Large 1½ gallon capacity stainless steel grease can
- Compact heavy gauge chassis for long life
- Stainless steel sides, front valve cover and ledge
- Double wall panels for cooler sides
- Stainless Steel "U" shaped burner every 12" rated at 30,000 BTU/hr
- Cast iron lift off head burners rated at 30,000 BTU/hr in the hot plate section
- 3/4" thick griddle plate with polished cooking surface
- Manual control for each burner
- 4" wide S/S grease trough with large drain opening for easy cleaning
- Stainless steel tubing for pilots
- 4" high adjustable heavy duty legs included
- Two year limited warranty, parts and labor

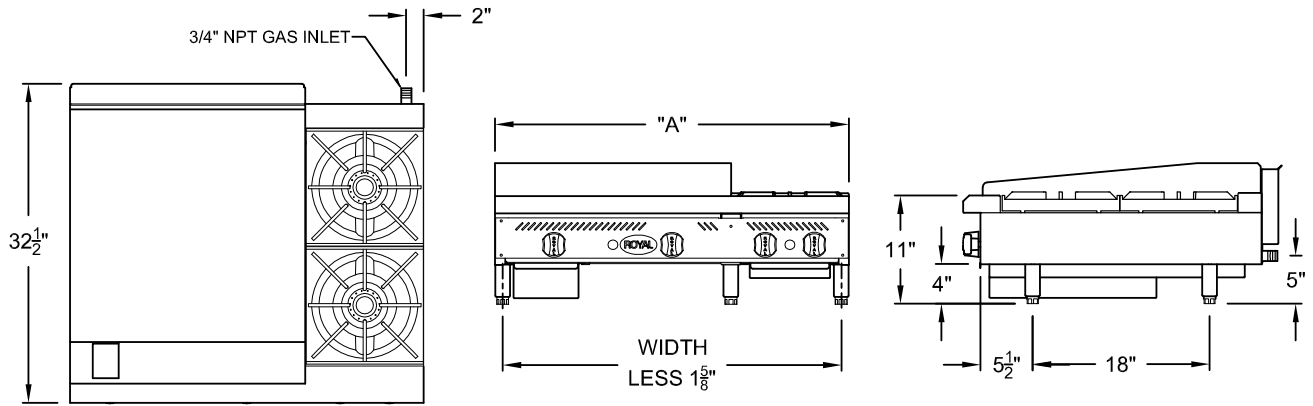


Intertek Intertek

Royal Range of California, Inc.
 3245 Corridor Dr. • Eastvale, CA 91752 • (800) 769-2414 • (951) 360-1600
 Fax: (951) 360-7500 • www.royalranges.com • sales@royalranges.com



Manual Griddle/Hot Plate Combination



Model Number	Width (A)	Number of Burners	Total BTU	Ship Weight
RMG-12OB2	24"	1G/2OB	90,000	295 lbs.
RMG-24OB2	36"	2G/2OB	120,000	405 lbs.
RMG-24OB4	48"	2G/4OB	180,000	465 lbs.
RMG-36OB2	48"	3G/2OB	150,000	535 lbs.
RMG-36OB4	60"	3G/4OB	210,000	595 lbs.
RMG-48OB2	60"	4G/2OB	180,000	695 lbs.
RMG-48OB4	72"	4G/4OB	240,000	864 lbs.

Notes:

- G = Griddle burner, rated at 30,000 BTU/hr
- OB = Open burner, rated at 30,000 BTU/hr

Gas Connection:

3/4" NPT on the right hand rear of the appliance.
 The pressure regulator (supplied) is to be connected by the installer.

Gas Pressure:

5" W.C.	Natural Gas
10" W.C.	Propane

Clearances:

	Combustible	Non-Combustible
Rear	6"	0"
Sides	15"	0"

Specify type of gas and altitude, if over 2,000 feet, when ordering.

Due to continuing product development to ensure best possible performance, these specifications are subject to change without prior notification.