



Item: \_\_\_\_\_

Quantity: \_\_\_\_\_

Project: \_\_\_\_\_

Gas Convection Oven - Bakery Depth

# Gas Convection Oven - Bakery Depth

Models:  RCOD-1     RCOD-2



Gas Type:  Natural     LP

Elevation (if above 2000 ft.): \_\_\_\_\_

## Options and Accessories

- Stainless steel bottom shelf (RCOD-1 Only)
- Stacking kit to stack two single deck units (includes 6" legs)
- 5" swivel casters (set of four - 2 locking)
- Extra oven racks (Qty: \_\_\_\_\_)
- Glass view door for left side (right is standard)
- Direct connect vent kit
- Pan rack (RCOD-1 Only)
- Moisture injection

## Standard Features

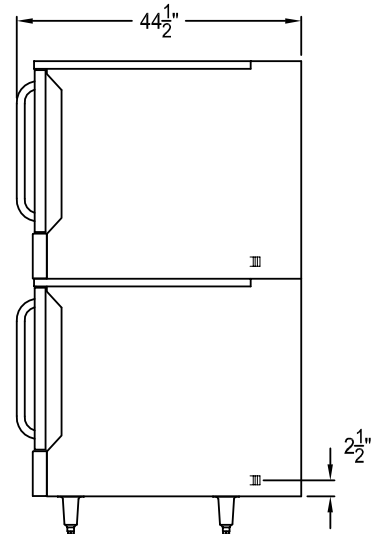
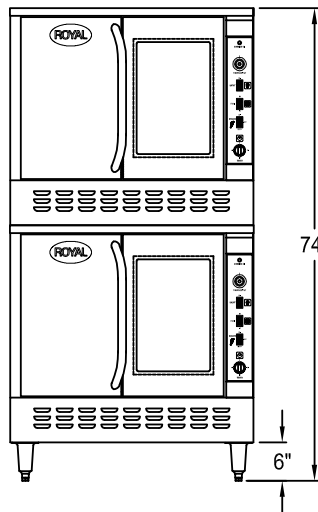
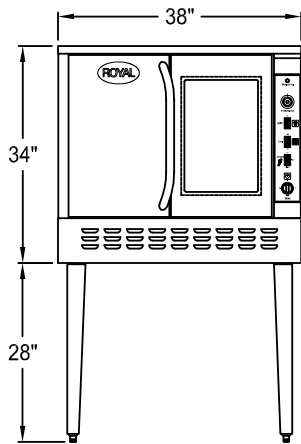
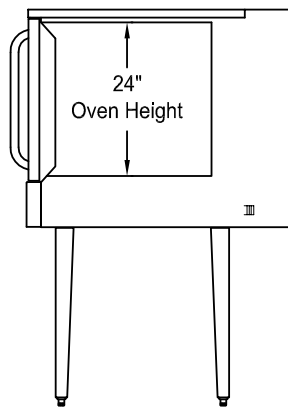
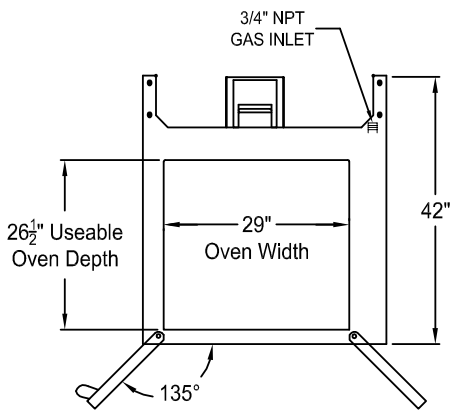
- Accommodates full size sheet pans front to back and side to side
- Two Stainless Steel 40,000 BTU/hr burners
- Electric thermostat adjustable from 150°-500° F
- Two speed motor
- Air deflectors strategically placed around the blower for efficient air circulation
- Cool touch controls set back for protection
- Electronic ignition with 100% safety
- Glass window in the right hand door
- Two interior lights
- Oven interior is porcelain coated for easy cleaning
- Doors feature 3 brass bushings per door hinge for perfect door alignment
- Oven doors swing open 135° for easier access for loading and removing pans
- 5 Chrome plated racks standard with 11 positions
- All S/S front, sides and top construction
- Unique stackable design requiring no additional flue extensions
- Oven interior useable space: 29" W x 26½" D x 24" H
- One year limited warranty, parts and labor



**Royal Range of California, Inc.**  
 3245 Corridor Dr. • Eastvale, CA 91752 • (800) 769-2414 • (951) 360-1600  
 Fax: (951) 360-7500 • www.royalranges.com • sales@royalranges.com



# Gas Convection Oven - Bakery Depth



Model Number	Number of Burners	Total BTU	Ship Weight
RCOD-1	2	80,000	600 lbs.
RCOD-2	4	160,000	1,185 lbs.

### Gas Connection:

3/4" NPT on the right hand rear of the appliance.  
The pressure regulator (supplied) is to be connected by the installer.

### Gas Pressure:

5" W.C.	Natural Gas
10" W.C.	Propane

### Electrical Requirements:

120VAC, 50-60Hz, 1 Ph., 8 amps  
Two speed motor (1725/1140 RPM), 1/2 HP  
Provided with 6' power cord fitted with a standard three prong grounded plug

### Clearances:

	Combustible	Non-Combustible
Rear	6"	0"
Sides	6"	0"

Specify type of gas and altitude, if over 2,000 feet, when ordering.

Due to continuing product development to ensure best possible performance, these specifications are subject to change without prior notification.

**Royal Range of California, Inc.**  
3245 Corridor Dr. • Eastvale, CA 91752 • (800) 769-2414 • (951) 360-1600  
Fax: (951) 360-7500 • www.royalranges.com • sales@royalranges.com