



Item: _____

Quantity: _____

Project: _____

Snack Kabob Broiler

Snack Kabob Broiler

Models:

- RSKTB-24 RSKTB-30 RSKTB-36 RSKTB-48 RSKTB-60 RSKTB-72
 RSKRB-24 RSKRB-30 RSKRB-36 RSKRB-48 RSKRB-60 RSKRB-72



Gas Type: Natural LP

Elevation (if above 2000 ft.): _____

Options and Accessories

- Cast iron grate with grease catch
- Add plate shelf with or without cutouts
- Stainless Steel Equipment Stand

Knock Down All Welded

Size

24" 30" 36" 48" 60" 72"

5" swivel casters (set of four - 2 locking)

5" swivel casters (set of six - 3 locking)
(60" and 72" models)

Standard Features

- Low Profile
- Easily removable independent firebox assembly
- Large capacity removable stainless steel pan under the broiler for easy cleaning
- Stainless Steel radiant covers (RSKTB Models)
- Heavy duty cast iron radiant covers (RSKRB Models)
- Welded and Insulated heavy gauge chassis for long life
- Stainless steel sides, front valve cover and ledge
- Double wall panels for cooler sides
- All welded fire box supports heavy duty radiant covers
- Stainless steel tubular burners rated at 15,000 BTU/hr each
- Individually adjustable burners provide powerful radiant heat
- Standing pilots for instant ignition
- Stainless steel tubing for pilots
- 4" high adjustable heavy duty legs included
- Two year limited warranty, parts and labor



Intertek

Intertek

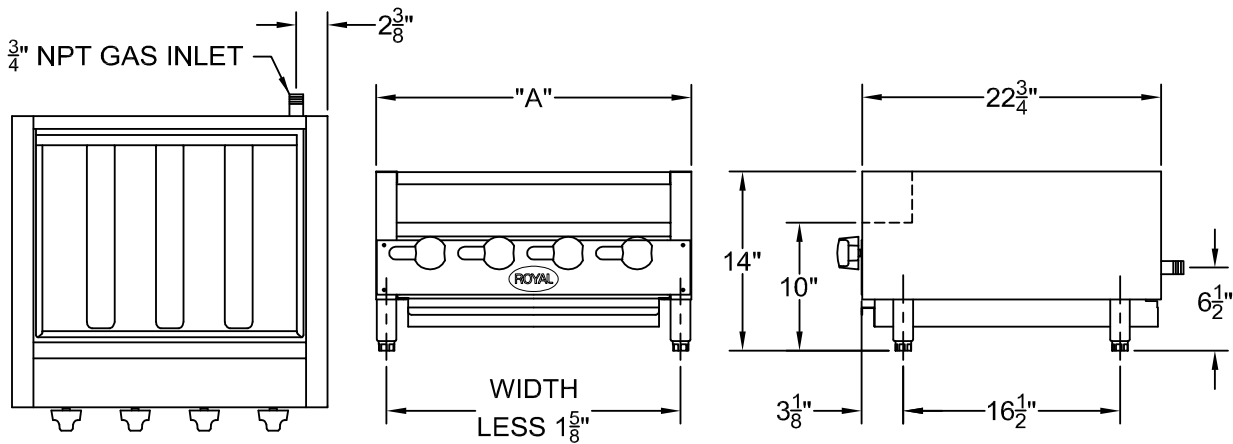
Royal Range of California, Inc.

3245 Corridor Dr. • Eastvale, CA 91752 • (800) 769-2414 • (951) 360-1600

Fax: (951) 360-7500 • www.royalranges.com • sales@royalranges.com



Snack Kabob Broiler



Model Number	Width (A)	Number of Burners	Total BTU	Ship Weight
RSKTB/RSKRB-24	25-1/2"	4	56,000	230 lbs.
RSKTB/RSKRB-30	31"	5	70,000	272 lbs.
RSKTB/RSKRB-36	36"	6	84,000	308 lbs.
RSKTB/RSKRB-48	48"	8	112,000	360 lbs.
RSKTB/RSKRB-60	60"	10	140,000	410 lbs.
RSKTB/RSKRB-72	72"	12	168,000	460 lbs.

Notes:

- Radiant burners at 15,000 BTU/hr each

Gas Connection:

3/4" NPT on the right hand rear of the appliance.
The pressure regulator (supplied) is to be connected by the installer.

Gas Pressure:

5" W.C.	Natural Gas
10" W.C.	Propane

Clearances: For installation in non-combustible locations only

	Combustible	Non-Combustible
Rear	N/A	0"
Sides	N/A	0"

Specify type of gas and altitude, if over 2,000 feet, when ordering.

Due to continuing product development to ensure best possible performance, these specifications are subject to change without prior notification.

Royal Range of California, Inc.
3245 Corridor Dr. • Eastvale, CA 91752 • (800) 769-2414 • (951) 360-1600
Fax: (951) 360-7500 • www.royalranges.com • sales@royalranges.com