



Item: _____

Quantity: _____

Project: _____

Range Match Spreader

Range Match Spreader

Models: RR-12SPR RR-18SPR RR-24SPR RR-36SPR



Standard Features

- Stainless steel work surface spreader
- Stainless steel front and sides including backguard and high shelf
- 6" legs

Options and Accessories

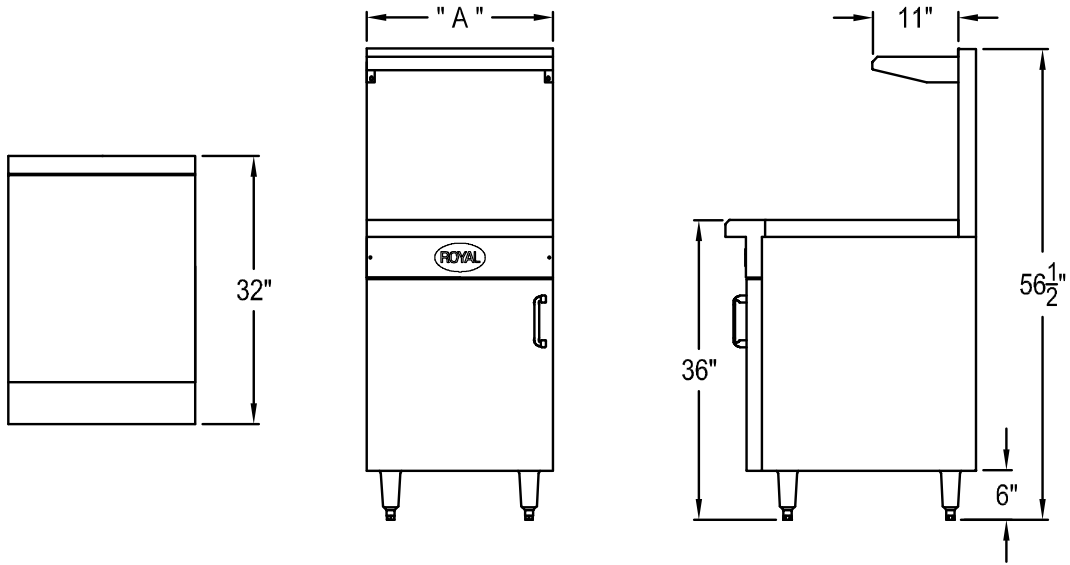
- 5" swivel casters (set of four - 2 locking)
- 6" high stub back in lieu of high shelf
- Intermediate shelf in cabinet
- Cabinet door



Royal Range of California, Inc.
 3245 Corridor Dr. • Eastvale, CA 91752 • (800) 769-2414 • (951) 360-1600
 Fax: (951) 360-7500 • www.royalranges.com • sales@royalranges.com



Range Match Spreader



Model Number	Width (A)	Ship Weight
RR-12SPR	12"	150 lbs.
RR-18SPR	18"	160 lbs.
RR-24SPR	24"	195 lbs.
RR-36SPR	36"	210 lbs.

Due to continuing product development to ensure best possible performance, these specifications are subject to change without prior notification.

Royal Range of California, Inc.
 3245 Corridor Dr. • Eastvale, CA 91752 • (800) 769-2414 • (951) 360-1600
 Fax: (951) 360-7500 • www.royalranges.com • sales@royalranges.com