



Item: _____

Quantity: _____

Project: _____

Infrared Radiant Broiler

Infrared Radiant Broiler

Models: RIB-24 RIB-36 RIB-48 RIB-60



Gas Type: Natural LP

Elevation (if above 2000 ft.): _____

Options and Accessories

- Fish grate
- Diamond grate
- Stainless Steel Equipment Stand
 - Knock Down All Welded

Size

- 24" 36" 48" 60" 72"
- 5" swivel casters (set of four - 2 locking)
- 5" swivel casters (set of six - 3 locking) (60" and 72" stands)

Standard Features

- Full width, removable stainless steel crumb pan for easy cleaning
- Stainless steel sides, front valve cover and ledge
- Easily removable, heavy gauge welded stainless steel radiants protect from spills
- Heavy duty cast iron reversible top grates
- Easily removable independent firebox assembly
- Infrared burners rated at 35,000 BTU/hr each
- Individual burner control
- Standing pilots for instant safe ignition
- Stainless steel splash guard tapered to front
- Stainless steel tubing for burners and pilots
- 4" high adjustable, heavy duty legs included
- Two year limited warranty, parts and labor

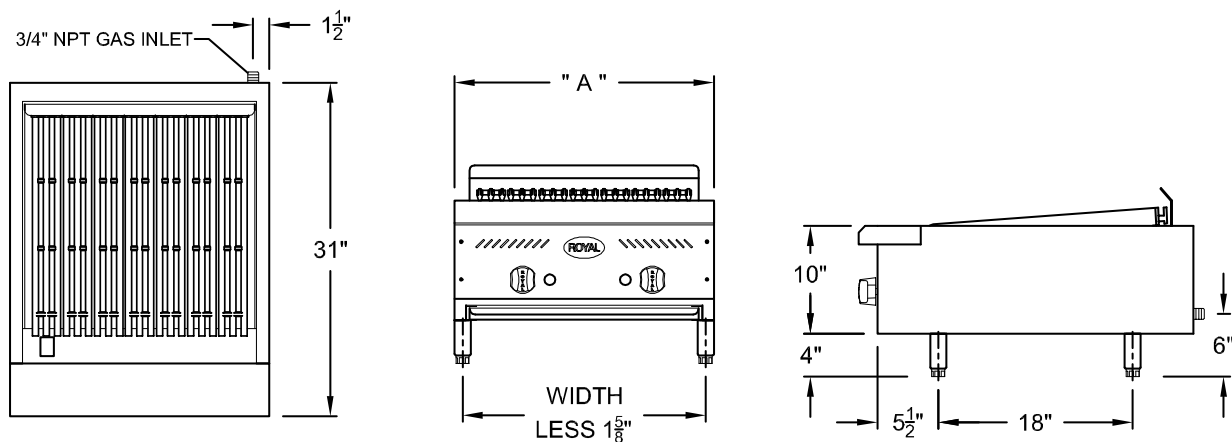


Intertek Intertek

Royal Range of California, Inc.
 3245 Corridor Dr. • Eastvale, CA 91752 • (800) 769-2414 • (951) 360-1600
 Fax: (951) 360-7500 • www.royalranges.com • sales@royalranges.com



Infrared Radiant Broiler



Model Number	Width (A)	Broiling Grid	Infrared Burners	Total BTU	Ship Weight
RIB-24	24"	21½" x 20"	2	70,000	160 lbs.
RIB-36	36"	21½" x 32"	3	105,000	204 lbs.
RIB-48	48"	21½" x 44"	4	140,000	260 lbs.
RIB-60	60"	21½" x 56"	5	175,000	325 lbs.

Gas Connection:

3/4" NPT on the right hand rear of the appliance.

The pressure regulator (supplied) is to be connected by the installer.

Gas Pressure:

5" W.C.	Natural Gas
10" W.C.	Propane

Clearances: For use in non-combustible locations only

	Combustible	Non-Combustible
Rear	N/A	0"
Sides	N/A	0"

Specify type of gas and altitude, if over 2,000 feet, when ordering.

Due to continuing product development to ensure best possible performance, these specifications are subject to change without prior notification.

Royal Range of California, Inc.
 3245 Corridor Dr. • Eastvale, CA 91752 • (800) 769-2414 • (951) 360-1600
 Fax: (951) 360-7500 • www.royalranges.com • sales@royalranges.com