



Item: _____

Quantity: _____

Project: _____

Electric Convection Oven - Standard Depth

Electric Convection Oven - Standard Depth

Models: RECO-1 RECO-2



Voltage:

- 208 - 1 Phase 208 - 3 Phase
- 240 - 1 Phase 240 - 3 Phase

Options and Accessories

- Stainless steel bottom shelf (RECO-1 Only)
- Stacking kit to stack two single deck units (includes 6" legs)
- 5" swivel casters (set of four - 2 locking)
- Extra oven racks (Qty: _____)
- Glass view door for left side (right is standard)
- Pan rack (RECO-1 Only)
- 480 Voltage - 3 Phase
- Moisture injection

Standard Features

- Accommodates full size sheet pans side to side
- 3 heating elements for a total of 9 KW power
- Electric thermostat adjustable from 150° to 500° F
- Two speed motor
- Cool touch controls set back for protection
- Glass window in the right hand door
- Two interior lights
- Oven interior is porcelain coated for easy cleaning
- Doors feature 3 brass bushings per door hinge for perfect door alignment
- Oven doors swing open 135° for easier access for loading and removing pans
- 5 Chrome plated racks standard with 11 positions
- All S/S front, sides, and top construction
- Oven interior useable space: 29" W x 22½" D x 24" H
- One year limited warranty, parts and labor

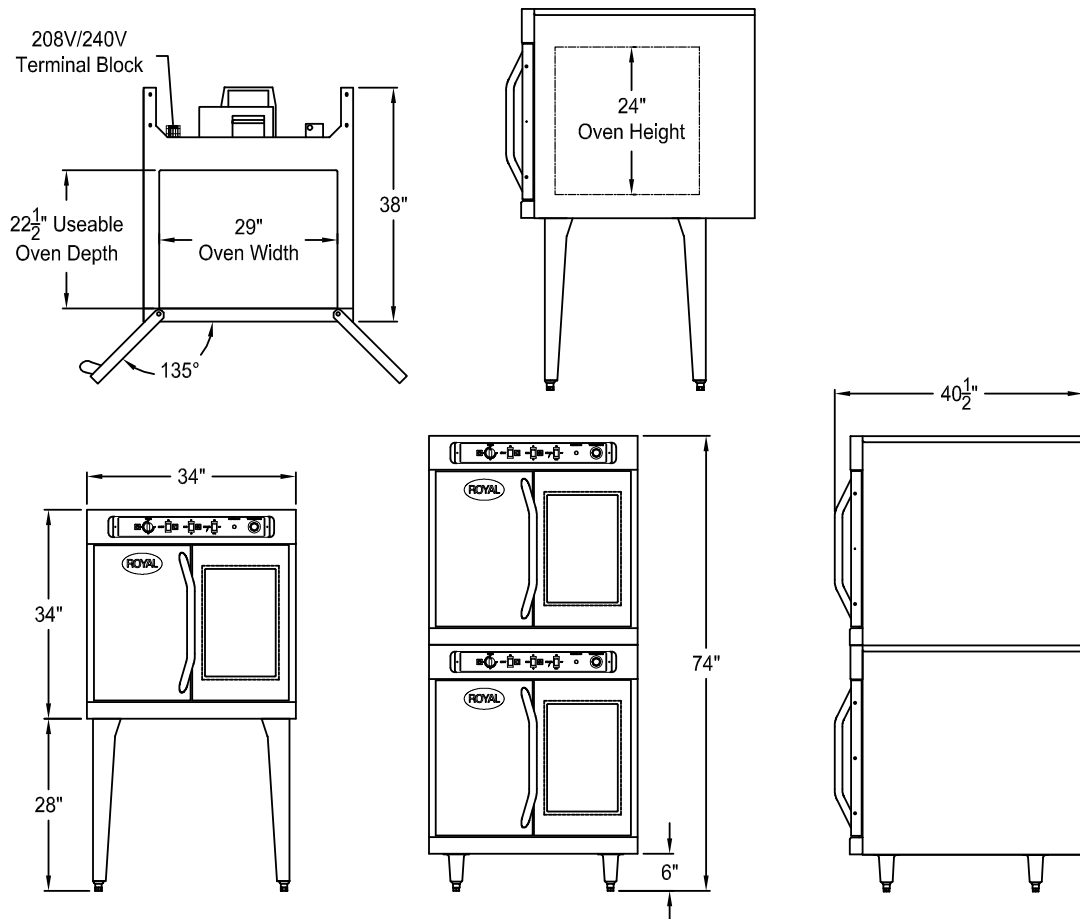


Intertek Intertek

Royal Range of California, Inc.
 3245 Corridor Dr. • Eastvale, CA 91752 • (800) 769-2414 • (951) 360-1600
 Fax: (951) 360-7500 • www.royalranges.com • sales@royalranges.com



Electric Convection Oven - Standard Depth



Model Number	Total KW	Ship Weight
RECO-1	9	495 lbs.
RECO-2	18	940 lbs.

Electrical: Two speed motor (1725/1140 rpm) 230V, 50/60 Hz, 1/2 HP
Terminal block for power cord connection with ground lug.

Heating Elements:

Voltage (V)	Phase	Total KW	Current (Amps)
208	1	9	45
208	3	9	L1-26, L2-25, L3-25
240	1	9	39
240	3	9	L1-23, L2-22, L3-22
480	3	9	L1-12, L2-11, L3-11

Clearances:

	Combustible	Non-Combustible
Rear	0"	0"
Sides	0"	0"

Due to continuing product development to ensure best possible performance, these specifications are subject to change without prior notification.

Royal Range of California, Inc.
3245 Corridor Dr. • Eastvale, CA 91752 • (800) 769-2414 • (951) 360-1600
Fax: (951) 360-7500 • www.royalranges.com • sales@royalranges.com