



Item: \_\_\_\_\_

Quantity: \_\_\_\_\_

Project: \_\_\_\_\_

**Cheesemelter Broiler**

# Cheesemelter Broiler

Models:  RCM-24  RCM-36  RCM-48  RCM-60  RCM-72



Gas Type:  Natural  LP

Elevation (if above 2000 ft.): \_\_\_\_\_

Range Mount  Wall Mount

Range Width: \_\_\_\_\_"  
(Range width necessary to determine bracket type. Width of Cheesemelter cannot exceed range width.)

## Standard Features

- Full width, removable stainless steel crumb pan for easy cleaning
- Stainless steel front and sides
- Individually adjustable infra-red burners provide powerful radiant heat
- Heavy duty chrome rack
- Standing pilots for instant safe ignition
- Stainless steel tubing for burners and pilots
- One year limited warranty, parts and labor

## Options and Accessories

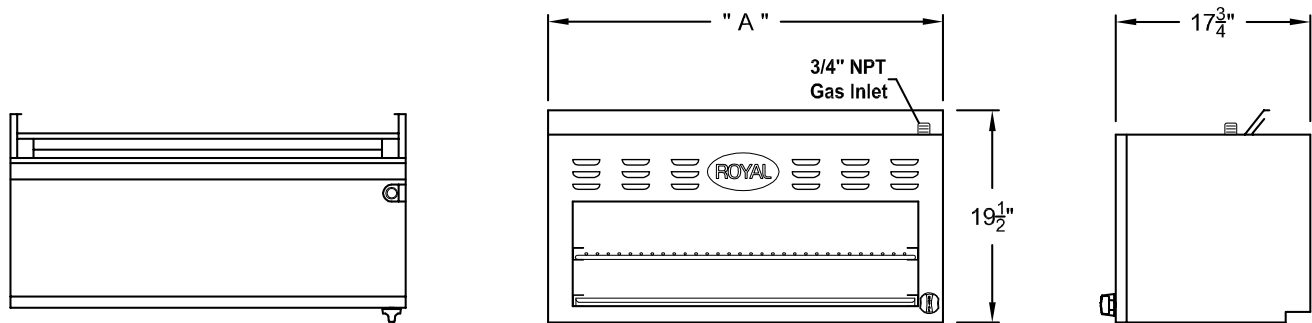
- 3/4" gas connection from range to RCM



**Royal Range of California, Inc.**  
 3245 Corridor Dr. • Eastvale, CA 91752 • (800) 769-2414 • (951) 360-1600  
 Fax: (951) 360-7500 • www.royalranges.com • sales@royalranges.com



# Cheesemelter Broiler



| Model Number | Width (A) | Number of Burners | Total BTU | Ship Weight |
|--------------|-----------|-------------------|-----------|-------------|
| RCM-24       | 24"       | 1 <sup>1</sup>    | 20,000    | 105 lbs.    |
| RCM-36       | 36"       | 1 <sup>2</sup>    | 35,000    | 165 lbs.    |
| RCM-48       | 48"       | 2 <sup>1</sup>    | 40,000    | 210 lbs.    |
| RCM-60       | 60"       | 2 <sup>1/2</sup>  | 55,000    | 275 lbs.    |
| RCM-72       | 72"       | 2 <sup>2</sup>    | 70,000    | 335 lbs.    |

**Notes:**

1. Infra-red burners rated at 20,000 BTU/hr each.
2. Infra-red burners rated at 35,000 BTU/hr each.

**Gas Connection:**

3/4" NPT on the right hand rear at the top of the appliance.

The pressure regulator (supplied) is to be connected by the installer.

**Gas Pressure:**

|          |             |
|----------|-------------|
| 5" W.C.  | Natural Gas |
| 10" W.C. | Propane     |

**Clearances:**

|       | Combustible | Non-Combustible |
|-------|-------------|-----------------|
| Rear  | 4"          | 0"              |
| Sides | 4"          | 0"              |

Specify type of gas and altitude, if over 2,000 feet, when ordering.

Due to continuing product development to ensure best possible performance, these specifications are subject to change without prior notification.