



Item: \_\_\_\_\_

Quantity: \_\_\_\_\_

Project: \_\_\_\_\_

**Electric Thermostatic Griddle**

# Electric Thermostatic Griddle

**Models:**  RTGE-12  RTGE-24  RTGE-36  RTGE-48  RTGE-60  RTGE-72

Voltage:  208V  240V  
Phase:  1 Phase  3 Phase



## Options and Accessories

- Grooved griddle (specify width: \_\_\_\_\_")
  - Chrome griddle plate
  - Stainless Steel Equipment Stand
    - Knock Down  All Welded
- Size
- 12"  24"  30"  36"  48"  60"  72"
  - 5" swivel casters (set of four - 2 locking)
  - 5" swivel casters (set of six - 3 locking) (60" and 72" stands)

## Standard Features

- 11" high, Low Profile
- Compact heavy gauge chassis for long life
- Stainless steel sides, control panel and ledge for easy cleaning
- Double wall panels for cooler sides
- Independent heating elements every 12", 3.4 KW each
- Energy saving thermostatic controls every 12" (200°F - 500°F)
- 4" wide S/S grease trough with large drain opening for easy cleaning
- Large 1 1/2 gallon capacity S/S grease can
- 3/4" thick polished steel griddle plate
- 4" high adjustable heavy duty legs included
- Two year limited warranty, parts and labor



**Intertek**  
3065360

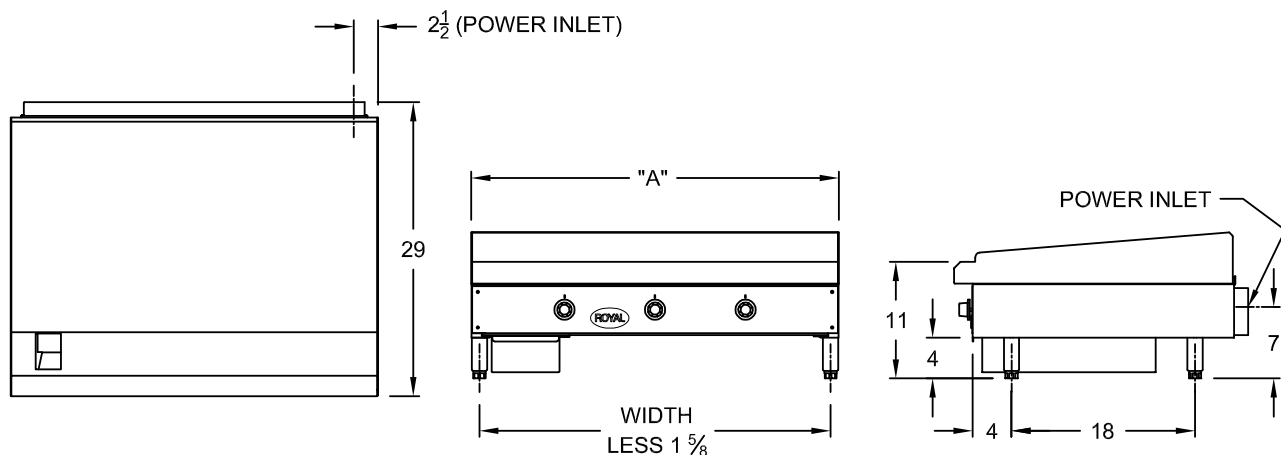


**Intertek**

**Royal Range of California, Inc.**  
3245 Corridor Dr. • Eastvale, CA 91752 • (800) 769-2414 • (951) 360-1600  
Fax: (951) 360-7500 • www.royalranges.com • sales@royalranges.com



# Electric Thermostatic Griddle



Model Number	Width (A)	Total KW	Voltage	A M P S				
				1 Phase		3 Phase		
				L1	L3	L1	L2	L3
RTGE-12	12"	3.4	208	17	17			
			240	15	15			
RTGE-24	24"	6.8	208	33	33	16	27	16
			240	29	29	25	25	25
RTGE-36	36"	10.2	208	50	50	29	29	29
			240	43	43	26	26	26
RTGE-48	48"	13.6	208	66	66	39	39	39
			240	57	57	36	36	36
RTGE-60	60"	17	208	82	82	48	52	48
			240	72	72	41	46	41
RTGE-72	72"	20.4	208	100	100	60	60	60
			240	86	86	52	52	52

To be installed only in noncombustible surroundings. See installation instructions.

Due to continuing product development to ensure best possible performance, these specifications are subject to change without prior notification.

**Royal Range of California, Inc.**  
 3245 Corridor Dr. • Eastvale, CA 91752 • (800) 769-2414 • (951) 360-1600  
 Fax: (951) 360-7500 • www.royalranges.com • sales@royalranges.com