



Item: _____

Quantity: _____

Project: _____

Snack Stainless Steel Equipment Stands

Snack Stainless Steel Equipment Stands

Models:	<input type="checkbox"/> RSS-12SN	<input type="checkbox"/> RSS-18SN	<input type="checkbox"/> RSS-24SN	<input type="checkbox"/> RSS-30SN
	<input type="checkbox"/> RSS-36SN	<input type="checkbox"/> RSS-48SN	<input type="checkbox"/> RSS-60SN	



Standard Features

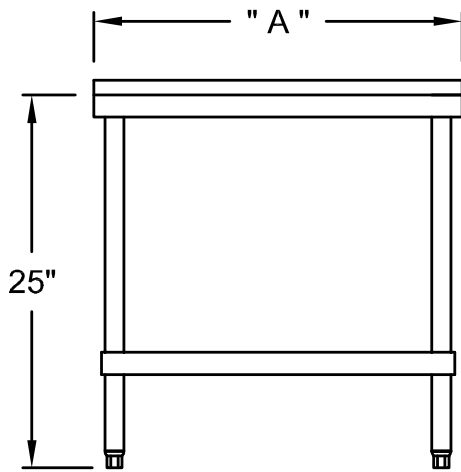
- Heavy duty stainless steel construction
- Knock down design for easier shipping and field assembly
- Stainless steel undershelf

Options and Accessories

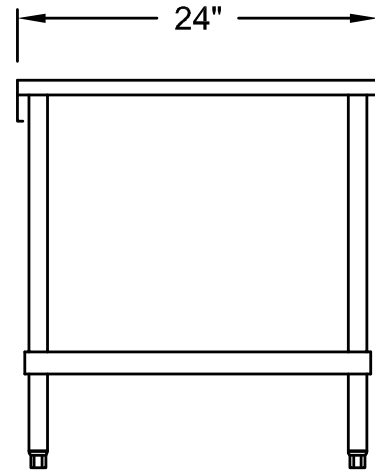
- All welded construction
- 5" swivel casters (set of four - 2 locking) (12"-48" models)
- 5" swivel casters (set of six - 3 locking) (60" model)



Snack Stainless Steel Equipment Stands



FRONT VIEW



SIDE VIEW

Model Number	Width (A)	Ship Weight
RSS-12SN	12"	32 lbs.
RSS-18SN	18"	42 lbs.
RSS-24SN	24"	52 lbs.
RSS-30SN	30"	62 lbs.
RSS-36SN	36"	72 lbs.
RSS-48SN	48"	82 lbs.
RSS-60SN	60"	95 lbs.

Due to continuing product development to ensure best possible performance, these specifications are subject to change without prior notification.

Royal Range of California, Inc.
 3245 Corridor Dr. • Eastvale, CA 91752 • (800) 769-2414 • (951) 360-1600
 Fax: (951) 360-7500 • www.royalranges.com • sales@royalranges.com